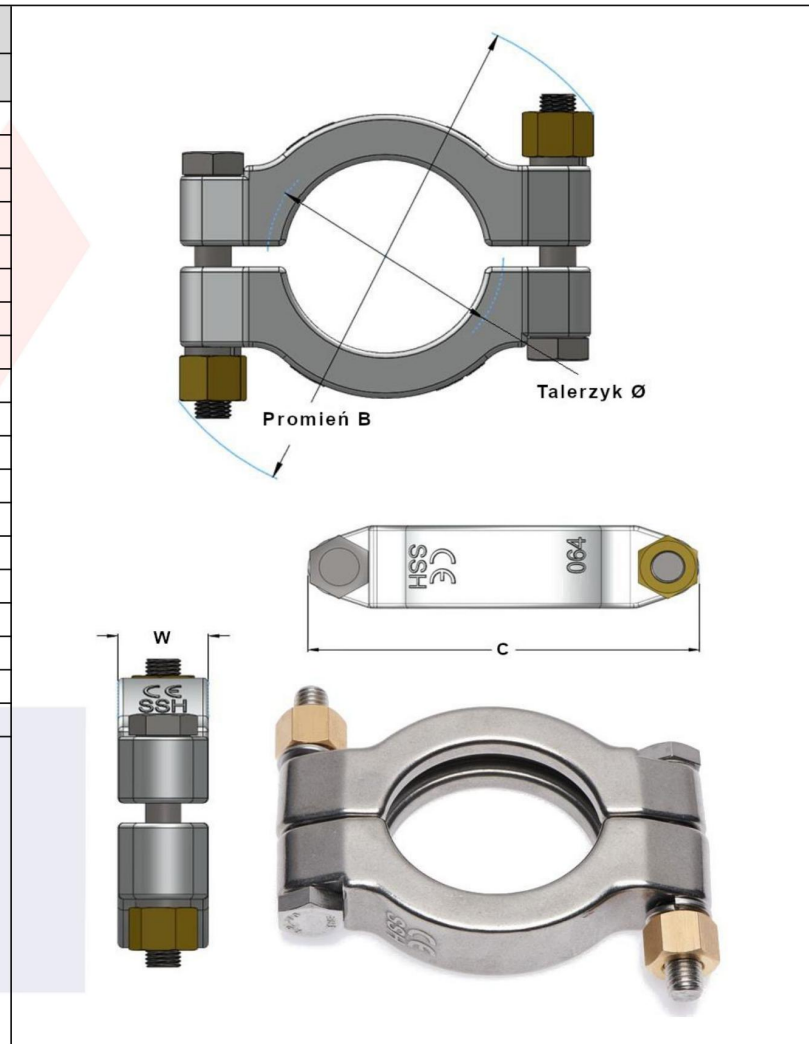


| KLAMRY TC - TYP SSH | | | | | | |
|---------------------|-----------------|-------------|-------------|---------------|-----------|---------------|
| Rozmiar nominalny | F - Ø talerzyka | B - promień | C - długość | W - szerokość | Waga [kg] | Kod |
| 1/2"-3/4" | 25,4 | 34,0 | 65,0 | 16,0 | 0,16 | KL.SSH.0050.4 |
| DN10 - DN20 | 34,0 | 39,0 | 74,0 | 18,0 | 0,22 | KL.SSH.D010.4 |
| 1"-1 1/2" | 50,5 | 60,0 | 103,0 | 26,0 | 0,66 | KL.SSH.0100.4 |
| 2" | 64,0 | 67,0 | 113,0 | 26,0 | 0,82 | KL.SSH.0200.4 |
| 2 1/2" | 77,5 | 75,0 | 128,0 | 26,0 | 0,94 | KL.SSH.0250.4 |
| 3" | 91,0 | 80,0 | 137,0 | 26,0 | 1,02 | KL.SSH.0300.4 |
| 3 1/2" | 106,0 | 88,0 | 150,0 | 26,0 | 1,07 | KL.SSH.0350.4 |
| 4" | 119,0 | 93,0 | 165,0 | 26,0 | 1,27 | KL.SSH.0400.4 |
| 4 1/2" | 130,0 | 97,0 | 174,0 | 26,0 | 1,33 | KL.SSH.0450.4 |
| 5" | 144,4 | 117,0 | 208,0 | 26,0 | 1,80 | KL.SSH.0500.4 |
| 5 1/2" | 155,0 | 120,0 | 216,0 | 26,0 | 1,74 | KL.SSH.0550.4 |
| 6" | 167,0 | 132,0 | 240,0 | 26,0 | 1,93 | KL.SSH.0600.4 |
| 6 5/8" | 183,0 | 142,0 | 260,0 | 26,0 | 2,11 | KL.SSH.0658.4 |
| 8" | 217,4 | 150,0 | 286,0 | 26,0 | 2,46 | KL.SSH.0800.4 |
| 8 5/8" | 233,0 | 168,0 | 318,0 | 26,0 | 2,52 | KL.SSH.0858.4 |
| 10" | 268,0 | 185,5 | 358,0 | 30,0 | 4,49 | KL.SSH.1000.4 |
| 10 5/8" | 286,0 | 196,0 | 380,0 | 30,0 | 4,68 | KL.SSH.1058.4 |
| 12" | 319,0 | 226,0 | 415,0 | 30,0 | 5,40 | KL.SSH.1200.4 |
| 12 5/8" | 338,0 | 222,5 | 435,0 | 30,0 | 5,89 | KL.SSH.1258.4 |



Materiał: AISI 304 (1.4301)

Zastosowanie: do dużych obciążeń (Heavy Duty)

Zawias: oddzielne segmenty łączone śrubą z nakrętką (Separate Segments)

Wymiary - FØ - B - C - W - podano w [mm]